

Handling System for Hood type Dishwasher Table Unloading/ Loading, 800mm

ITEM # _____

MODEL # _____

NAME # _____

SIS # _____

AIA # _____



865263 (BHHLU08)

Dishwasher table, loading &
unloading, 800 mm

Short Form Specification

Item No. _____

For hood type dishwashers. Constructed in 304 AISI stainless steel. N.2 square 40x40mm tubular legs on height-adjustable feet. Basket direction: from right to left and from left to right.

Main Features

- Supplied knocked-down and easy to assemble.
- Designed for 500x500 mm dishwashing racks.
- Connection to dishwasher possible on the left, front or right side.

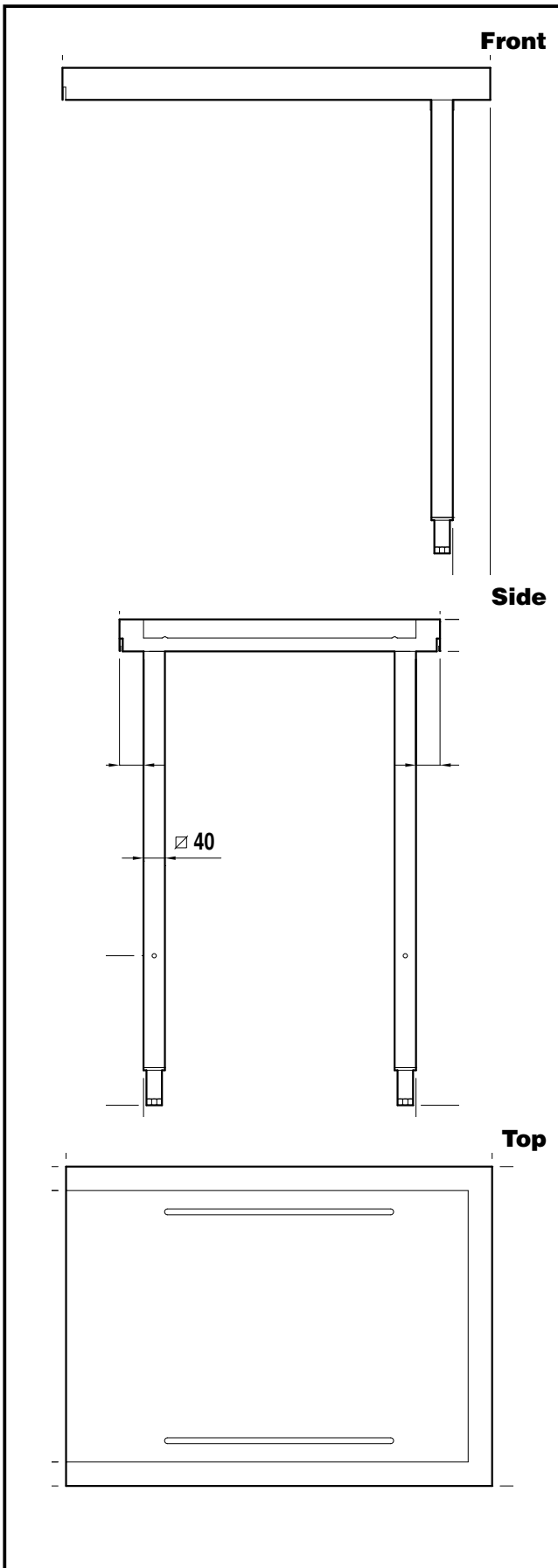
Construction

- Stainless steel feet 50 mm adjustable in height to ensure that tables drain back into the dishwasher.
- All surfaces smooth with polished finish.
- 40x40 mm square tubular legs in AISI 304 stainless steel.
- Deep anti-drip profiles completely folded with lower edge for safe and easy cleaning.
- 304 AISI stainless steel construction throughout.
- To be secured to the dishwasher and fitted with one pair of legs at the other end.

Optional Accessories

- Undershelf for dishwasher table, PNC 865351 800 mm

APPROVAL: _____



Key Information:

External dimensions, Width: 865263 (BHHLU08)	800 mm
External dimensions, Depth:	600 mm
External dimensions, Height:	910 mm
Net weight:	6 kg