

Eco Preparation 1600 mm Sink for Dishwasher with 2 Bowls - Left drain

ITEM # _____

MODEL # _____

NAME # _____

SIS # _____

AIA # _____



132937 (EDBD1617L)

Sink unit for dishwasher with 2
bowls left hand drainer
500x500x250mm, 1600mm

Short Form Specification

Item No. _____

Worktop in 304 AISI stainless steel with front edge h=40mm. Rear upstand h=100mm. N.2 bowls 400x500mm. Front and side covering panels in stainless steel. Rear panel in stainless steel. Square section legs 40x40mm in stainless steel with adjustable feet. An undercounter dishwasher can be placed under the drainer.

Main Features

- Sturdiness, stability and reliability of table accurately tested.

Construction

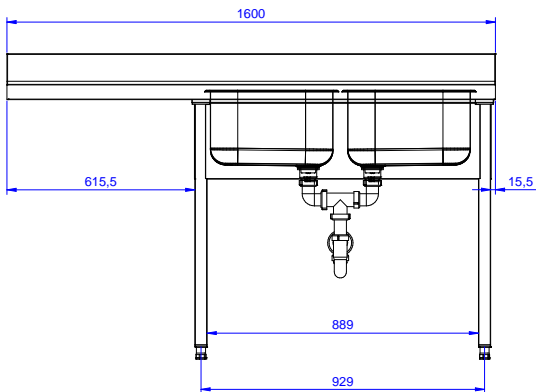
- Constructed entirely in stainless steel to offer maximum durability.
- Bottom part of drain left free to house an undercounter dishwasher.
- Delivered in knock-down package.
- Wide range of taps are available to suit every need.
- Drainage area suitable for drying operations

Optional Accessories

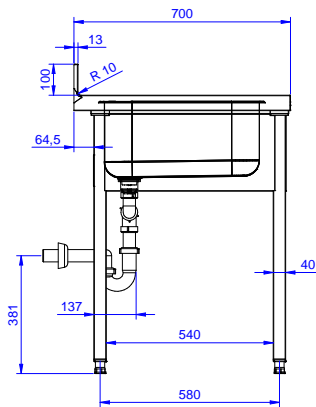
- Double plastic drain syphon 1,5 " PNC 850021
- Lower shelf for 1000 mm tables and sinks and for 1600 mm undercounter dishwasher sinks PNC 855144
- Set of 4 wheels (2 with brake) d. 100mm for tables and sinks (total height on wheels= 993 mm) PNC 855150
- 3-sided underframe for 1000mm tables PNC 855151
- Single plastic drain syphon 1,5" PNC 855306
- Elbow operated mixer tap with spout, 3/4" single hole PNC 855322
- Elbow operated mixer tap short spout, 3/4" single hole PNC 855323
- Retractable hose spray unit, 6 meters PNC 855327
- Foot operated Mixer tap with spout & with hot&cold pedals, 3/4" PNC 855328

APPROVAL: _____

Front

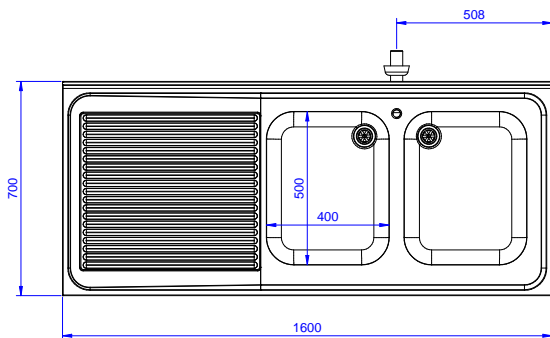


Side



D = Drain

Top



Key Information:

| | |
|------------------------------|--------------|
| External dimensions, Width: | 1600 mm |
| 132937 (EDBD1617L) | |
| External dimensions, Depth: | 700 mm |
| External dimensions, Height: | 900 mm |
| Upstand Dimensions, Height: | 100 mm |
| Upstand Dimensions, Depth: | 13 mm |
| Upstand Dimensions, Radius: | R=10 |
| Bowls number | 2 |
| Bowl dimensions | 400X500XH250 |
| Net weight: | 70 kg |